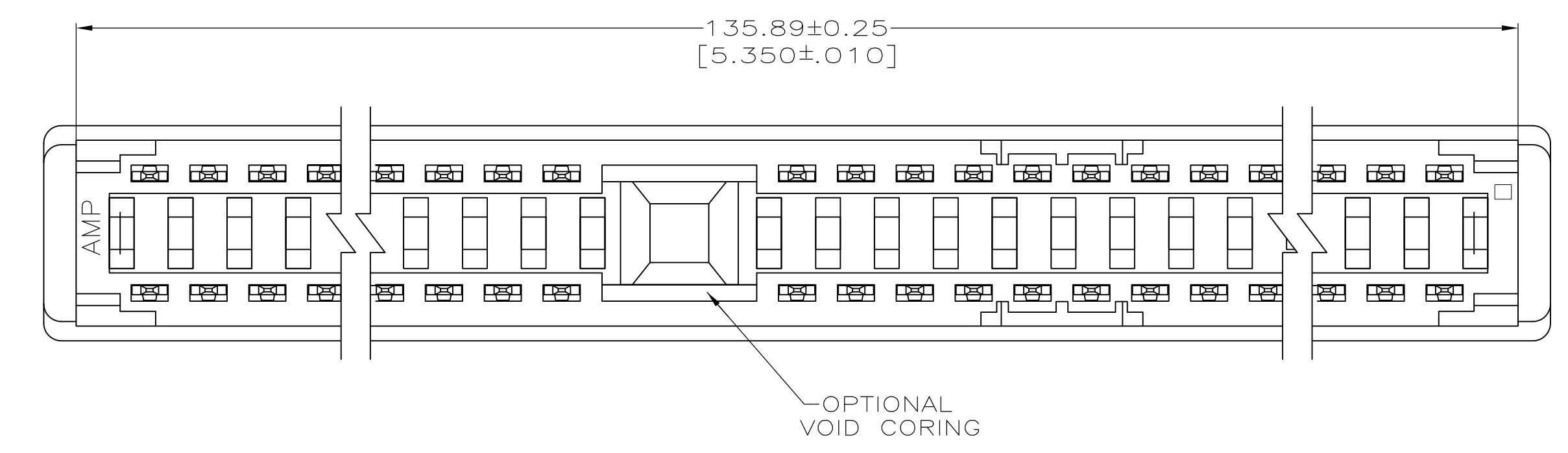
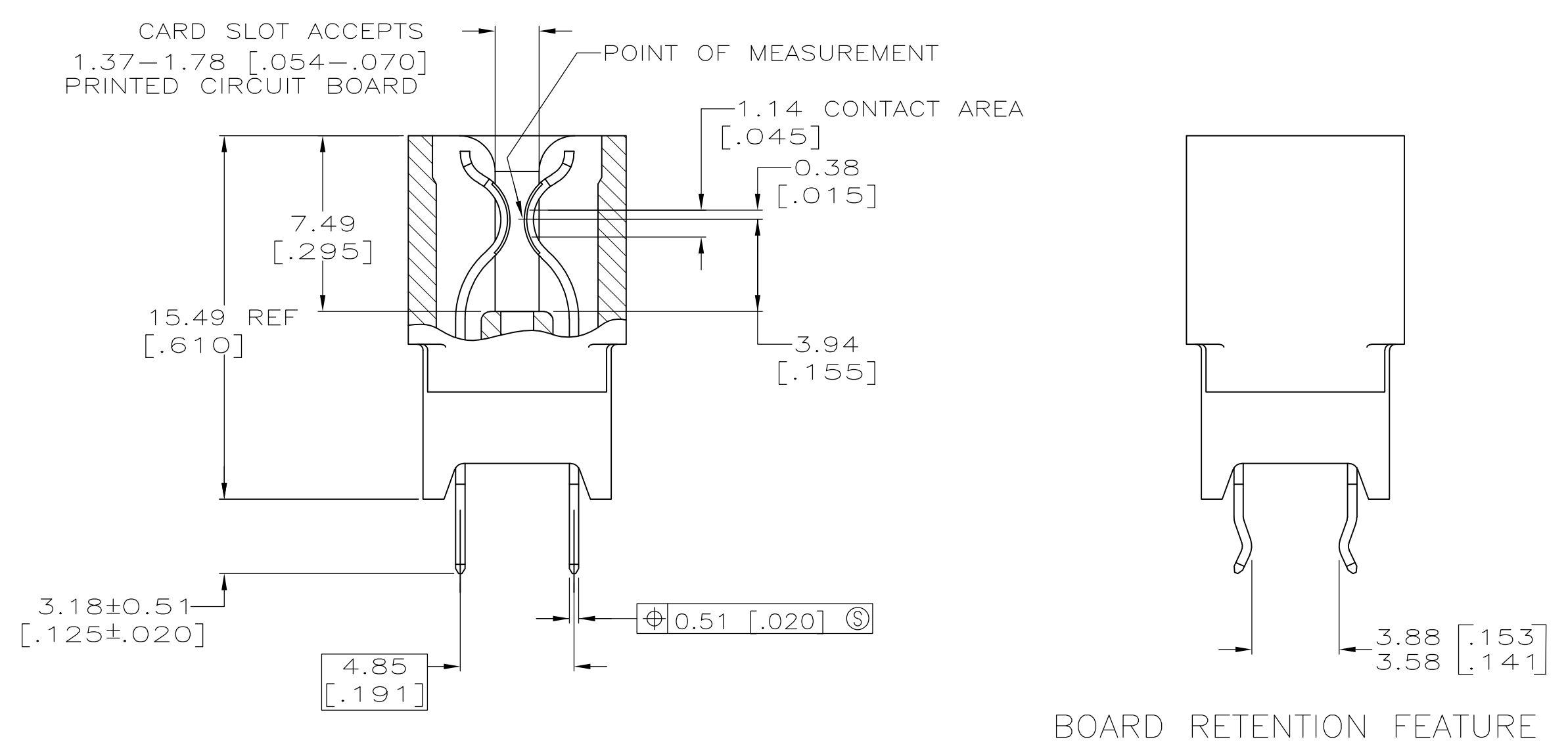
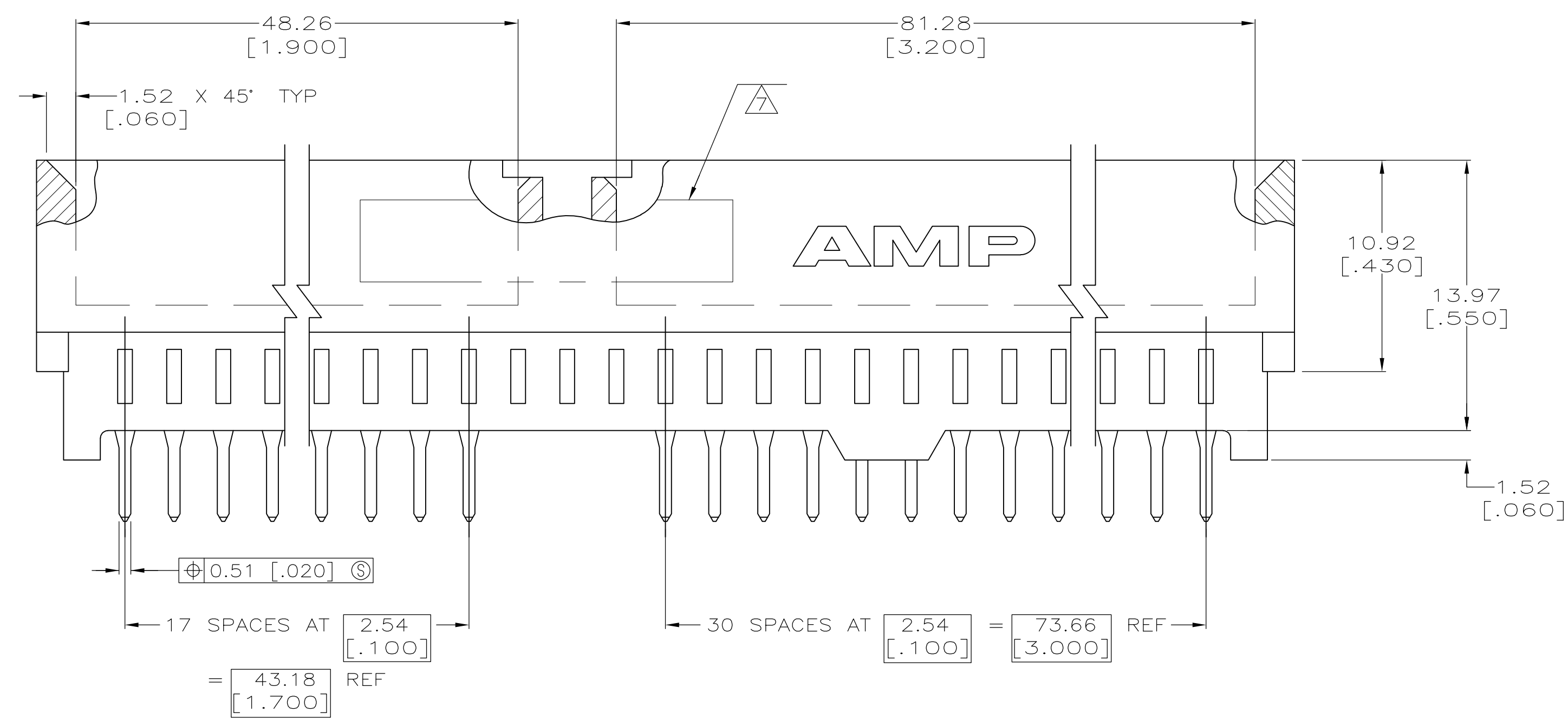
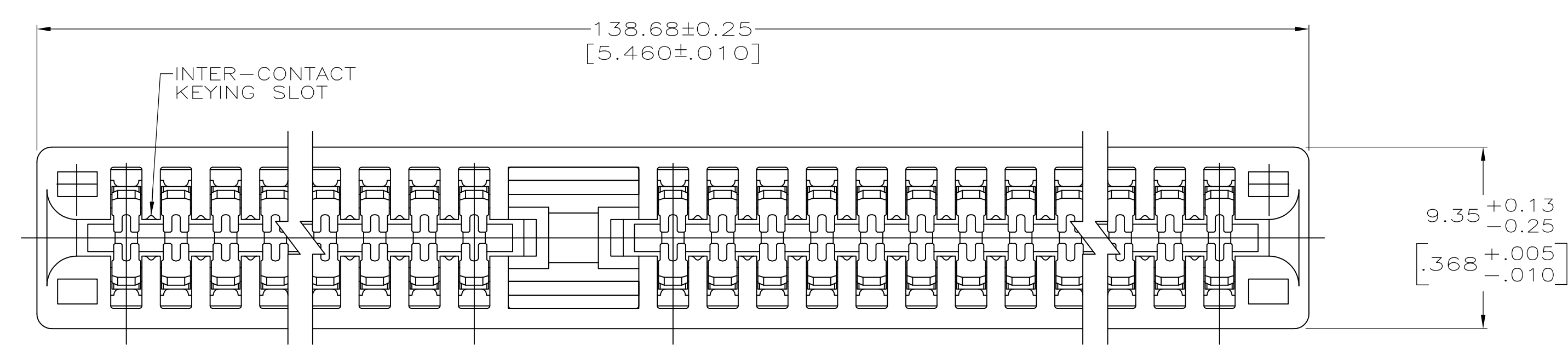


- ① HOUSING: GLASS FILLED POLYESTER; COLOR: BLACK.
- ② CONTACT: PHOSPHOR BRONZE.
- ③ NICKEL PLATE: 0.00127 [.000050] MIN - ALL OVER.
- ④ MATTE TIN PLATE: 0.00254 [.000100] MIN-SOLDER POSTS.
- ⑤ GOLD PLATE: 0.00076 [.000030] MIN - CONTACT AREA.
- ⑥ NICKEL PLATE PER MIL-G-45204. GOLD PLATE PER QQ-N-290.
- ⑦ AMP PART NUMBER, DATE CODE AND CSA LOGO ARE MARKED IN APPROXIMATE AREA SHOWN, EITHER SIDE.
- 8. RECOMMENDED PCB FINISHED HOLE DIA: 1.02±0.08 [.040±.003].
- 9. THE RETENTIVE FEATURE OF THIS CONNECTOR IS DESIGNED FOR FULL SEATING IN .062±.008 THICK CIRCUIT BOARDS. FOR APPLICATIONS IN BOARDS OF OTHER THICKNESSES CONTACT AMP INCORPORATED.
- ⑩ PACKAGED 20 CONNECTORS PER TUBE.
- ⑪ PACKAGED 72 CONNECTORS PER EPS TRAY.
- ⑫ GOLD PLATE: 0.00038 [.000015] MIN - CONTACT AREA.
- ⑬ PACKAGED IN SLIDE PACK.
- ⑭ PACKAGE 57 CONNECTORS IN TUBES.
- ⑮ DATUMS AND BASIC DIMENSIONS TO BE DETERMINED BY CUSTOMER.



NOTE 5	NOTE 11	5,6,31,32,41,42,93,94	49	5645169-4
NOTE 5	NOTE 11	-	49	5645169-3
NOTE 5	NOTE 11	5,6,31,32,41,42,93,94	49	5645169-2
PLATING	PACKAGE	BOARD RETENTION LOCATION	NO OF POSN	PART NUMBER

THIS DRAWING IS A CONTROLLED DOCUMENT.

DIMENSIONS: mm	TOLERANCES UNLESS OTHERWISE SPECIFIED:	0 PLC ± -	1 PLC ± -	2 PLC ± 0.13 [.005]	3 PLC ± -	4 PLC ± -	ANGLES ± °
MATERIAL		FINISH		WEIGHT		CUSTOMER DRAWING	

AL FRANTUM 14 JUN 05
AL FRANTUM 14 JUN 05

NAME: CONNECTOR ASSEMBLY, STANDARD EDGE II, 2.54 [.100]

PRODUCT SPEC: 108-9039

APPLICATION SPEC: 108-9039

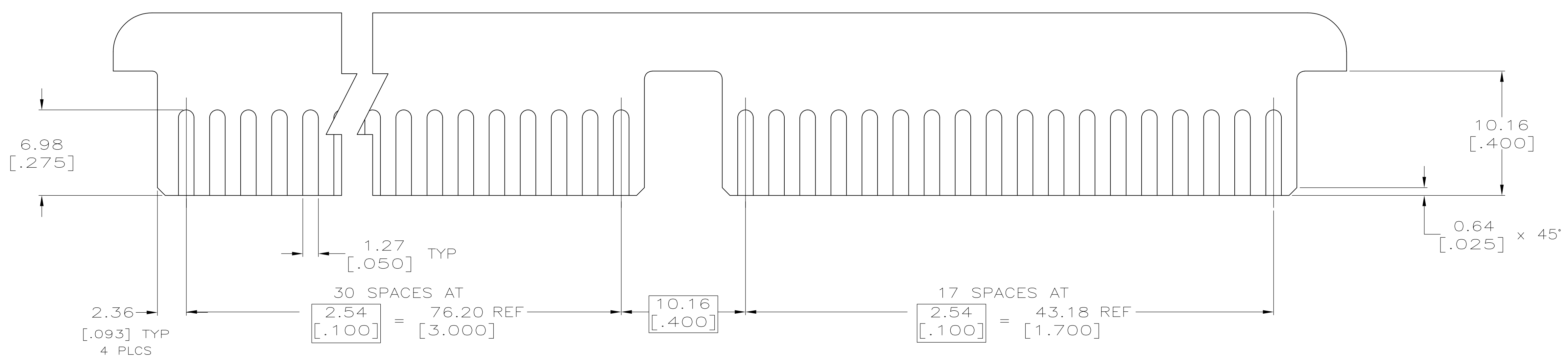
SIZE: A1 00779

SCALE: 5:1

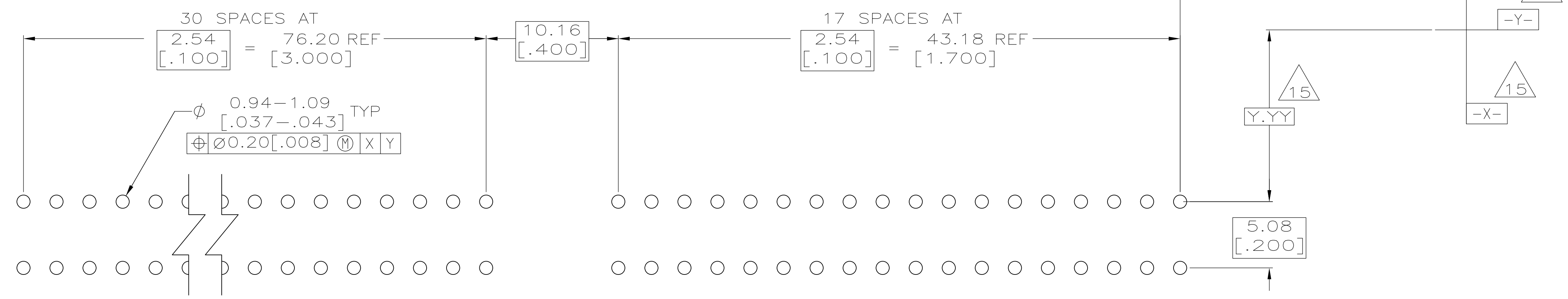
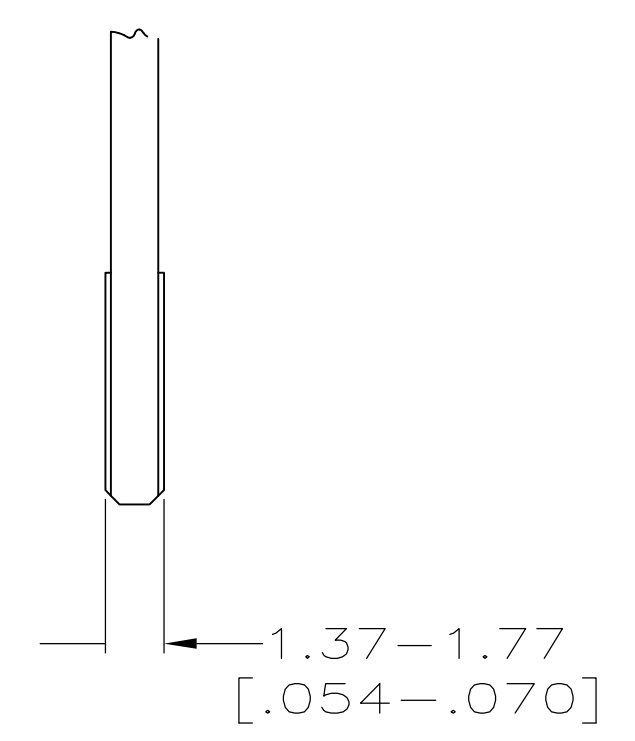
SHEET: 1 OF 2

REV: A1

LOC		DIST		REVISIONS				
P	LTR	DESCRIPTION	DATE	DN	APVD			
-	-	SEE SHEET 1	-	-	-			



RECOMMENDED CONNECTOR P.C. BOARD PAD LAYOUT



RECOMMENDED CONNECTOR P.C. BOARD HOLE PATTERN

THIS DRAWING IS A CONTROLLED DOCUMENT.		DN AL FRANTUM 14 JUN 05	TE Connectivity
DIMENSIONS: mm		CHK AL FRANTUM 14 JUN 05	
TOLERANCES UNLESS OTHERWISE SPECIFIED:		APVD	NAME
0 PLG ± -	1 PLG ± -	PRODUCT SPEC	CONNECTOR ASSEMBLY, STANDARD EDGE II, 2.54 [.100]
2 PLG ± 0.13 [.005]	3 PLG ± -	APPLICATION SPEC	108-9039
4 PLG ± -	ANGLES ± ±°	SIZE	A1
MATERIAL SEE SHEET 1	FINISH SEE SHEET 1	WEIGHT	00779 C=5645169
CUSTOMER DRAWING		SCALE 5:1	SHEET 2 OF 2 REV A1